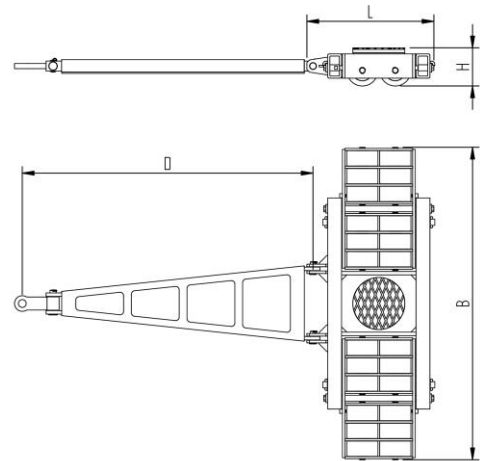


# Fact sheet **ECO-Skate** BIG66L

Load moving system, steerable, 3-load points

# HTS



## Specification:

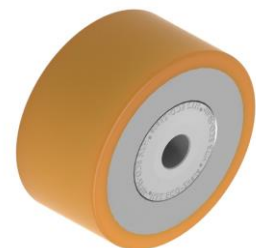
Heavy-duty load moving system for the professional indoor heavy load transport on clean, smooth and level floors, incl. pulling bar with grab handle or pulling eye, turntable with anti-slip rubber pad and high-quality HTS 3-component polyurethane wheels, which are abrasion-resistant, cut-resistant and non-marking as well as suitable for smooth and level floors with slight unevenness. In combination with an S or DUO load moving system with the same installation height, it forms a secure overall system with 3 load points.

## Technical data of load moving system:

# 09 066 04 10	Ø 300 mm	19,3 x 84 = 1622 mm <sup>2</sup> ▼ 14,6 MPa
MAT PU, AL, 93 Shore A	L x B x H 738 x 1802 x 220 mm	389,2 cm <sup>2</sup>
66000 daN	D = 1620 mm	3300 daN*
# 24	489 kg	1980 daN*

## Equipped with the following wheel:

# 11 180 01 25	19,3 x 84 = 1622 mm <sup>2</sup> ▼ 14,6 MPa
MAT PU, AL, 93 Shore A	2750 daN
Ø180x89 - Ø30 mm	V <sub>max</sub> = 2 km/h



**Please always observe the operating instructions, their safety instructions and local conditions!**

# Part No.	# Number of wheels	Ø Load Area in mm	Area mm <sup>2</sup> of the roller surface pressure ▼ N / mm <sup>2</sup>	→ Traction* in daN, required force to move the load at a steady speed of 2 km/h under ideal conditions
MAT Wheel material layer, core: AL Aluminium, NY Nylon PU Polyurethane, ST Steel	Dimensions of wheel, inside ball bearing diameter mm	Dimensions in mm L x B x H	Loaded area per skate in cm <sup>2</sup>	
Carrying Capacity of load moving skate in daN at 2km/h max.	Weight kg	Steering bar length D for L, adjustability V for S and DUO skate systems	Starting resistance* in daN, required force to start moving, under ideal conditions	* Varies depending on the tolerances of the floor and ambient situation. All information without guarantee.