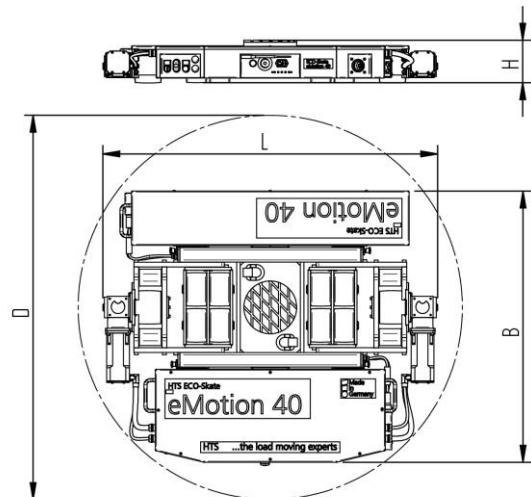


Fact sheet **ECO-Skate** eMotion 40

emotion, radiocontrolled, battery powered

HTS



Specification:

eMotion heavy duty transport load moving system, battery powered and remote controlled for the professional internal heavy goods transport on clean and even floors. All movements are proportional and precisely controlled via remote control with a single joystick, incl. LiFePo4 battery, battery charger, turntable with anti-slip rubber pad and radio remote control. Equipped with high-quality HTS nylon wheels (load wheels) and specially manufactured polyurethane traction wheels, which are abrasion-resistant, non-marking and cut-resistant as well as suitable for all smooth and level floors. In combination with an S skate or two ROTO skates (the load capacity of the undercarriage must correspond to the tractive force of the drive unit) with the same installation height it forms a safe overall system with 3 load points.

Technical data of load moving system:

# 10 200 51 10	Ø 220 mm	20000 daN
300 kg	L x B x H 1394 x 1142 x 180 mm	40000 daN
$V_{max} = 0,5$ km/h	D = 1600 mm	3 %
3 h / 8 h	434 MHz	Friction of drive wheel / ground > = 0,3

Equipped with the following load wheels:

# 11 140 10 25 R	12,0 x 45 = 540 mm ² ▼ 46,3 MPa
MAT NY, 80 Shore D	Ø140x86 - Ø30 mm
# 8	43,2 cm ²



Please always observe the operating instructions, their safety instructions and local conditions!

# Part No.	# Number of wheels	Load Area in mm	Area mm ² of the roller surface pressure ▼ N / mm ²	Maximum trailing load in daN with two additional support points
MAT Wheel material layer, core: AL Aluminium, NY Nylon PU Polyurethane, ST Steel	Dimensions of wheel, inside ball bearing diameter mm	Dimensions in mm L x B x H	Loaded area per skate in cm ²	Capacity / charging time with 8A charging current. Fast charger on request
capacity of the load moving skate in daN	Weight kg	Turning circle D in mm	Trafficable slope in% under maximum load	429 MHz: Japan / 447 MHz: Korea / others on request

Fact sheet **ECO-Skate** eMotion 40

emotion, radiocontrolled, battery powered



Equipped with the following drive wheels:

#	93 000 11 00		19,0 x 100 = 1900 mm ² ▼ 10,5 MPa
MAT	93 Shore A		Ø140x100 mm
	# 2		38 cm ²



Combination options:

1	eMotion 40 (10 200 51 10)	iXN20S-B (10 200 55 20)	
2	eMotion 40 (10 200 51 10)	RFXN12 (10 120 03 41)	RFXN12 (10 120 03 41)
3	eMotion 40 (10 200 51 10)	eMotion 40 (10 200 51 10)	RFXN12 (10 120 03 41)

Please always observe the operating instructions, their safety instructions and local conditions!

#	Part No.		Number of wheels		Load Area in mm		Area mm ² of the roller surface pressure ▼ N / mm ²		Maximum trailing load in daN with two additional support points
MAT	Wheel material layer, core: AL Aluminium, NY Nylon PU Polyurethane, ST Steel		Dimensions of wheel, inside ball bearing diameter mm		Dimensions in mm L x B x H		Loaded area per skate in cm ²		Capacity / charging time with 8A charging current. Fast charger on request
	capacity of the load moving skate in daN		Weight kg		Turning circle D in mm		Trafficable slope in% under maximum load		429 MHz: Japan / 447 MHz: Korea / others on request